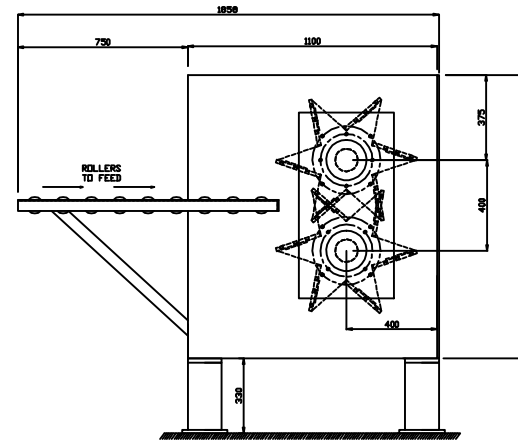
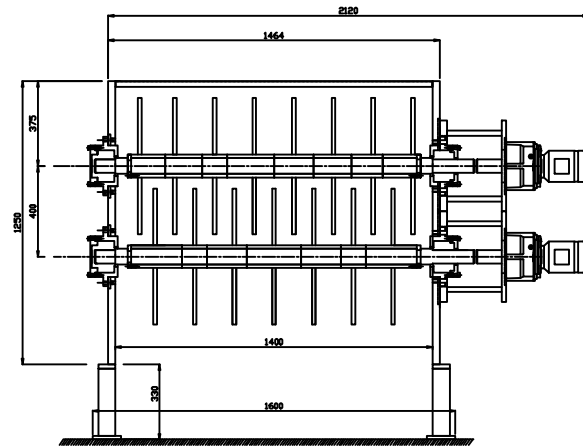

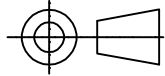


ELECTRIC MOTOR : 5 hp - 01 no
 3 hp - 01 no
 Throughput : 1 tonne per hour (Craft Box)



NOTE : All dimensions are in mm

Rev.No	Revision	By	Date	 PHILIP HYDRAULICS No. AC6-A, Sidco Industrial Estate, Thirumudivakkam, Ph: 91-044-42882085 Chennai-600 044, India	Design	Philip Varghese	02.02.2018	SHREDDER		
					Drawn	Suresh	02.02.2018			
					Checked	Philip Varghese	02.02.2018	Client:		
								Scale	Drawing Number	Revn
									151-100-00	0